



**WHERE
PRECISION
DRIVES
PRODUCTION**

SMOOTH FLOW NOZZLE COLOR CHART

COLOR	GAUGE	CORRESPONDING SIZE				
		INNER DIAMETER		OUTER DIAMETER		
		IN	MM	IN	MM	
	Pink	18	0.0409	1.039	0.0488	1.240
	Peach	19	0.0339	0.861	0.0417	1.059
	Green	20	0.0268	0.681	0.0347	0.881
	Sky Blue	21	0.0240	0.610	0.0319	0.810
	Purple	23	0.0222	0.564	0.0250	0.635
	White	25	0.0172	0.437	0.0200	0.508
	Red	27	0.0132	0.335	0.0160	0.406
	Black	30	0.0092	0.234	0.0120	0.305
	Dark Blue	31	0.0060	0.152	0.0100	0.254
	Orange	32	0.0040	0.101	0.0080	0.203
	Yellow	33	0.0020	0.051	0.0060	0.152

**SMOOTH FLOW SERIES
PRECISION TAPERED NOZZLES
METAL TAPERED NOZZLE WITH PLASTIC LUER**

PVA Smooth Flow Series dispense nozzles feature an easy to identify plastic, color-coded polypropylene Luer Lok hub. The tapered design allows for a smooth flow of fluid through the dispense nozzle, eliminating back pressure while providing a straight orifice for fluid to exit.

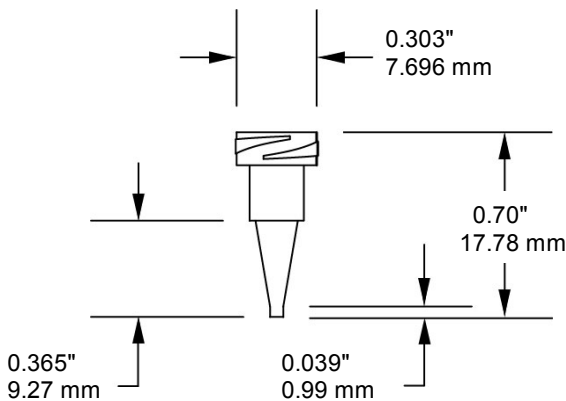
The nozzle metal core is also available, without a plastic luer lock hub. Metal cores may require a reusable metal luer lock hub*.

For more information, please contact PVA at info@pva.net or 1-518-371-2684.

PART NUMBERS

GAUGE	PART NUMBERS	
	Luer Lock Adapter	Metal Core Only
18	PV-18SA	PV-18SC
19	PV-19SA	PV-19SC
20	PV-20SA	PV-20SC
21	PV-21SA	PV-21SC
23	PV-23SA	PV-23SC
25	PV-25SA	PV-25SC
27	PV-27SA	PV-27SC
30	PV-30SA	PV-30SC
31	PV-31SA	PV-31SC
32	PV-32SA	PV-32SC
33	PV-33SA	PV-33SC

* Reusable Metal Luer Lock Hub, Part Number: 214-3592



One Mustang Drive
Cohoes NY 12047
tel 518 371 2684
fx 518 371 2688
www.pva.net