



**WHERE
PRECISION
DRIVES
PRODUCTION**



Dynamite Pump CP Series

SYSTEM SPECIFICATIONS

CP Series Systems

PVA300MLCP - For 300ml cartridges

PVA06OZCP - For 6oz cartridges

PVA12OZCP - For 12oz cartridges

PVA20OZCP - For 20oz cartridges

Footprint

21.6" x 9.17" (550mm x 233mm)

Pump Mechanism

Air operated mini extruder

Pump Ratio

12:1

Maximum Fluid Outlet Pressure

1200 psi at 100 psi air

Maximum Air Inlet Range

80 - 100 psi

Weight

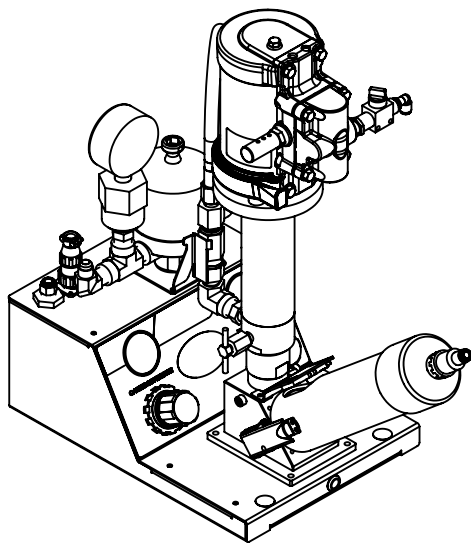
40lbs (18.1 kg)

CP Series Pumps are ideal for dispensing medium to high viscosity materials pre-packaged in cartridges that require high flow rates than available with air pressure alone. Possible applications include gasketing, sealing, lubricating and filling. The CP Series Pumps can be used with a hand held or automated dispensing systems.

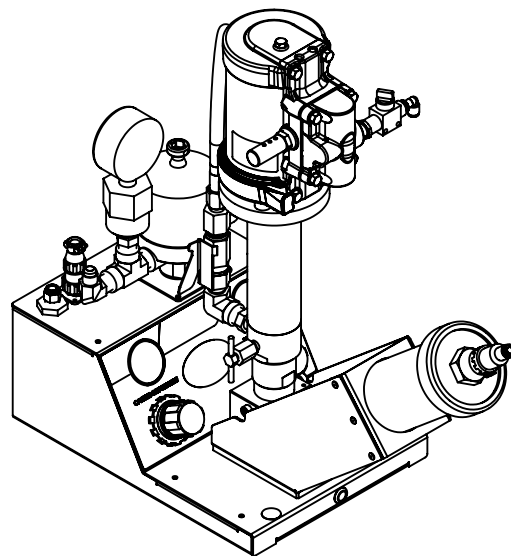
The CP Series Pump has many options and integrated features including:

- 12:1 ratio system to create high fluid pressure
- Locking cartridge retainer
- Pneumatic control panel
- Accommodates multiple cartridge sizes and types
- Includes material hose, fluid regulator and gauges
- Compact footprint
- Optional low level sensor

For more information, please contact PVA at info@pva.net or (518) 371-2684.



300 ml CARTRIDGE



6/12/20oz CARTRIDGE