



**WHERE
PRECISION
DRIVES
PRODUCTION**



PVA-1GPU SPECIFICATIONS

Material Packaging:
One-Gallon Metal Pail

Maximum Fluid Pressure:
1000 PSI

Inlet Air Pressure:
70-100 PSI

Fluid Outlet:
1" NPT(F)

Wetted Parts:
Seals: Buna
Ram: Aluminum, Stainless Steel

PVA-1GPU ONE GALLON HYDRAULIC METERING PUMP

The PVA-1GPU is a hydraulic pump that is ideal for dispensing highly abrasive, highly viscous pastes and compounds packaged in one-gallon metal pails. The PVA-1GPU operates as a hydraulic press and extrudes material from the pail rather than pumping it like a typical reciprocating pump. The extrusion process minimizes shear and maintains material integrity.

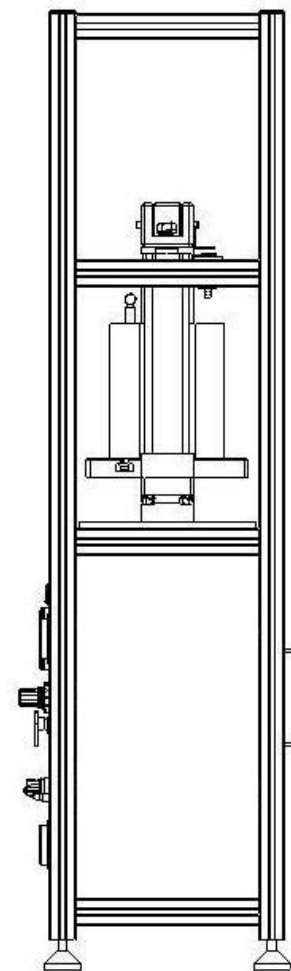
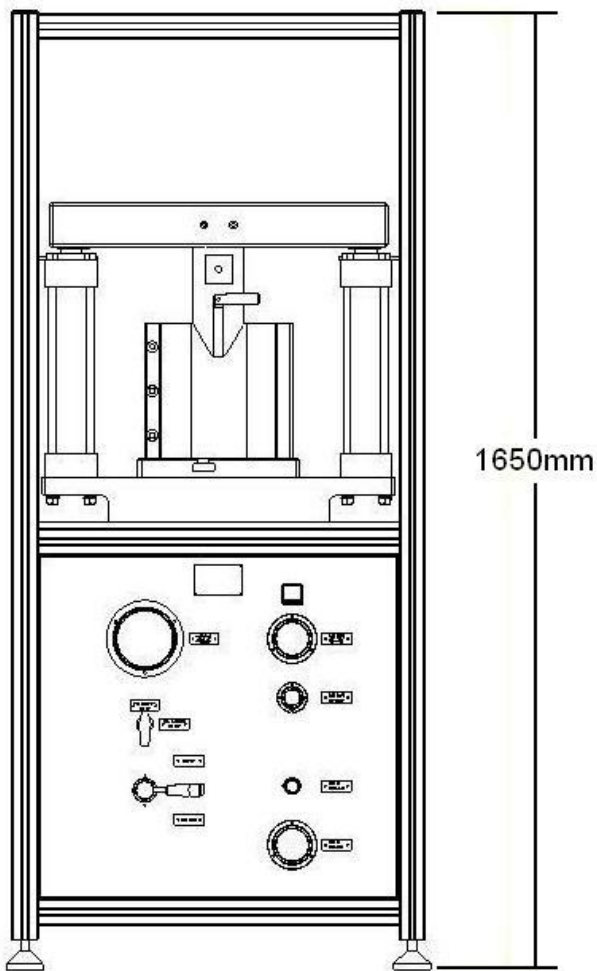
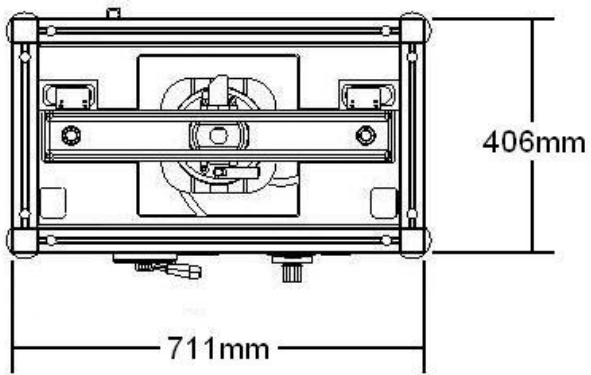
Material is extruded from the pail as a hydraulic intensifier pump forces a ram and follower plate into the container. An opening in the center of the follower plate allows material to flow out of the pump and into high-pressure material lines to be dispensed.

The PVA-1GPU has many integrated features including:

- ▲ Hydraulic RAM pump with follower plate
- ▲ Virtually pulse free flow resulting in consistent bead diameter
- ▲ Only one moving pump component provides virtually maintenance free operation
- ▲ Low shear resulting in a homogeneous material supply
- ▲ Hydraulic process eliminates the possibility of pump cavitation
- ▲ Fully pneumatic operation

For more information, please contact PVA at info@pva.net or 1-518-371-2684.

One Mustang Drive
Cohoes NY 12047
tel 518 371 2684
fx 518 371 2688
www.pva.net



www.pva.net