



**WHERE
PRECISION
DRIVES
PRODUCTION**



Cover Trunnion Over Substrate Shuttle

SPECIFICATIONS

Power

220 V, +/- 10%, 50-60 Hz

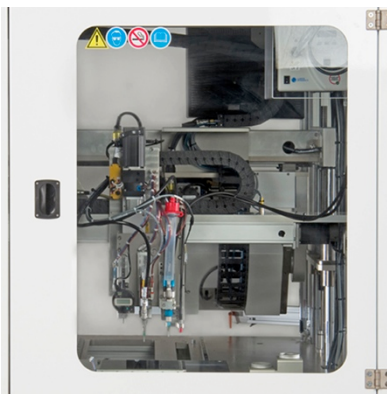
Air

80 psi, dry non-lubricated

Dimensions

1816mm x 1268mm x 1424mm

71.5" x 49.9" x 56.1"



Dispense Head Over Substrate Shuttle

PVA710 OPTICAL BONDING SYSTEM*

The PVA710 Optical Bonding System is used to dispense and assemble optical devices in atmosphere without bubbles. It is an ideal solution for use with any optically clear acrylic or silicone.

The system offers a complete process including dam and seal dispensing and curing, fill dispensing and cover placement. Sample products include touch screen to LCD, cover glass to LCD, and more.

The PVA710 employs a robust gantry system featuring precision ball screw slides driven by brushless DC servo motors. Every axis of motion features optical encoder feedback for a truly closed-loop process. The cover glass trunnion provides an assembly means where the bonded surface is not contacted by the system.

The system is designed to accommodate a panel up to 17" at 16:9.

The PVA710 Optical Bonding System has many integrated features including:

- ▲ Vision correction of X, Y and skew
- ▲ Exclusive PVA Portal Programming Interface
- ▲ PVA's global service network

For more information, please contact PVA at info@pva.net or 1-518-371-2684.

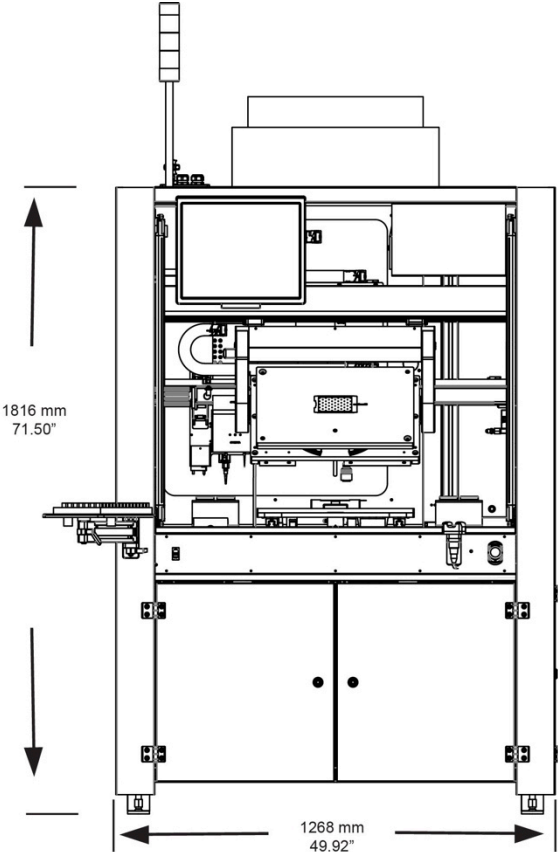


**Patent Pending*

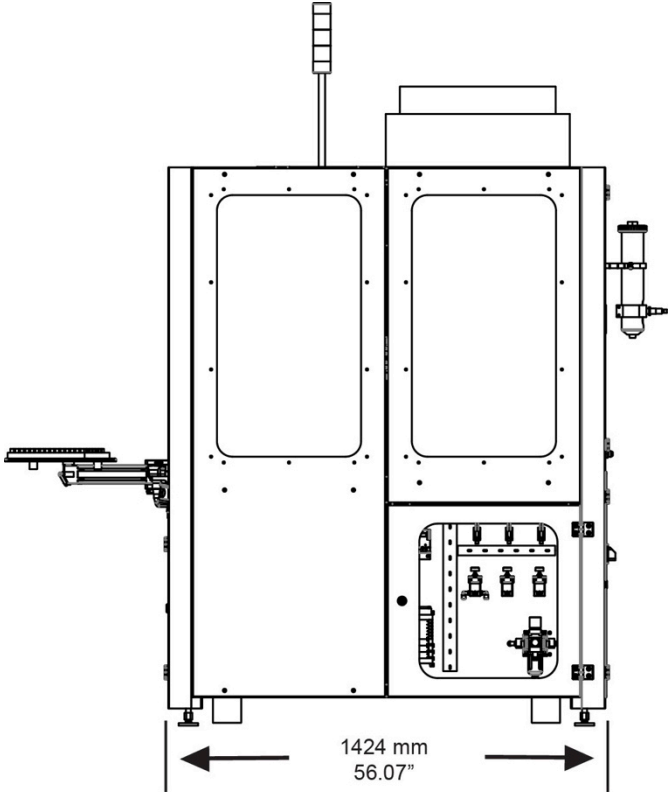
January 2014

One Mustang Drive
Cohoes NY 12047
tel 518 371 2684
fx 518 371 2688
www.pva.net

PVA710 Optical Bonding System*



Front View



Side View



www.pva.net

*Patent Pending