



**WHERE
PRECISION
DRIVES
PRODUCTION**



VALVE SPECIFICATIONS

Dimensions:

201 mm x 29.21 mm x 29.21 mm
(7.9 in x 1.15 in x 1.15 in)

Weight:

19 oz

Viscosity Range:

1 cps – Paste

Operating Air Pressure:

60 – 100 psi

Maximum Inlet Fluid Pressure:

3500 psi

Wetted Components:

Stainless steel, Viton, Carbide, Teflon®

FC300-C STAINLESS STEEL / CARBIDE NEEDLE VALVE

The FC300-C is a versatile high flow dispensing valve for any single component bead, dot, potting, or encapsulation project. Featuring a lightweight, compact design, the FC300-C is perfect for both automated and handheld processes in which a high volume of material is dispensed.

The FC300-C has many integrated features including:

- ▲ Divorced valve design prevents material contamination of the air section
- ▲ Carbide wetted parts for reliable processing of filled materials
- ▲ Stainless steel fluid body for superior material compatibility
- ▲ 1/4" NPT fluid port allows higher flow rates
- ▲ Adjustable flow control
- ▲ Spring-assisted valve closure for reliable cycle stops
- ▲ Compatible with all Luer-Lok™ needle tips

The FC300-C is available on all new PVA3000™, PVA650™, PVA350™, and PVA250™ systems, or can be retrofitted to any existing PVA platform. For more information on PVA's dispensing capabilities, please contact one of our sales representatives at (518) 371-2684.

PVA also offers the following products to improve your dispensing application:

FC3-C-SP

FC300-C spare parts kit

FC300

High flow stainless steel front closing needle valve

FC100-MC

Stainless steel front closing needle valve

ST100

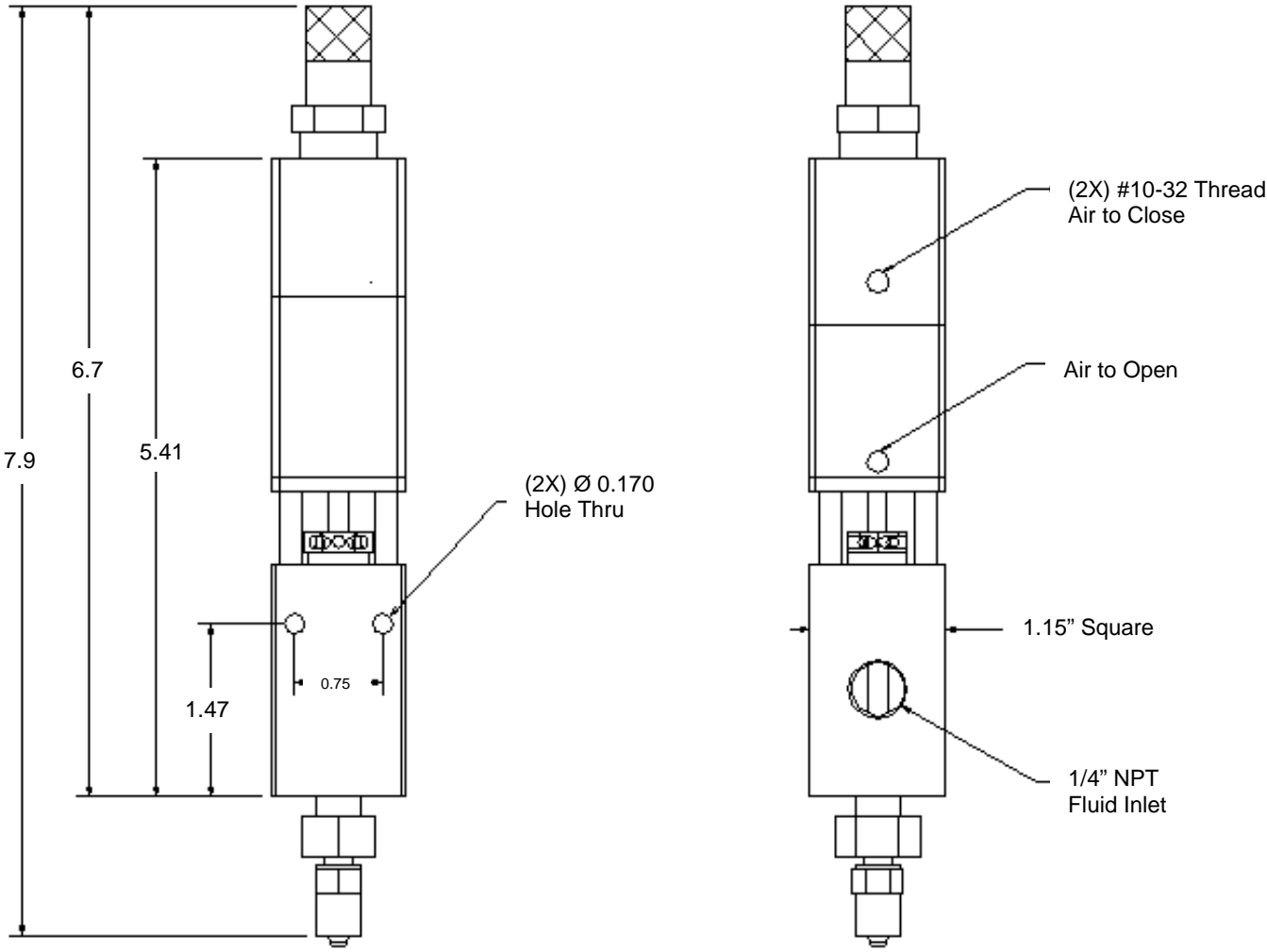
Digital valve controller



One Mustang Drive
Cohoes NY 12047
tel 518 371 2684
fx 518 371 2688
www.pva.net

Teflon® and Kalrez® are registered trademarks of Dupont.

FC300-C Mounting Dimensions



All dimensions provided in inches