



**WHERE  
PRECISION  
DRIVES  
PRODUCTION**



## VALVE SPECIFICATIONS

### Dimensions

128 mm x 29.21 mm x 29.21 mm  
(5.04 in x 1.15 in x 1.15 in)

### Weight:

8 oz

### Viscosity Range

1 cps – 50,000 cps

### Operating Air Pressure:

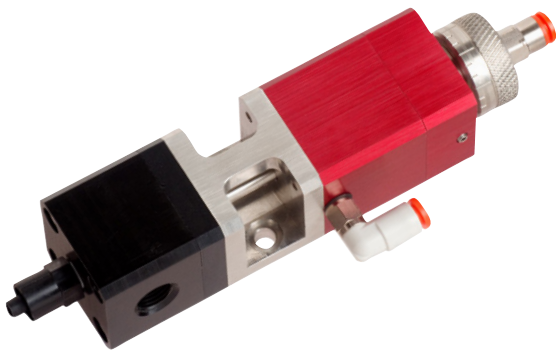
60-100 psi

### Maximum Inlet Fluid Pressure

100 psi

### Wetted Components

Teflon®, Delrin®, Polypropylene, Kalrez



Luer Lok™ is a Becton Dickinson and Co. trademark.  
Teflon® and Delrin® are registered trademarks of Dupont.

## CA300

### Diaphragm Dispensing Valve

The CA300 is a plastic dispensing valve suitable for applying cyanoacrylate adhesives and anaerobic chemistries. This versatile diaphragm dispense valve can be used for single component bead, dot, potting, or encapsulation projects. The dual acting air cylinder and unique rigid diaphragm allow this valve to act as a front closing valve making it more desirable for accurate placement of small dots and fine bead patterns.

The lightweight and compact design makes it suitable for any automated, stationary, or handheld application.

The CA300 has many integrated features including:

- Delrin® material body
- Adjustable flow control with locking set screw
- Divorced valve design prevents fluid contamination of the air section
- Spring assisted valve closure for reliable cycle stops
- Compatible with all Luer-Lok™ needle tip designs

For more information, please contact PVA at [info@pva.net](mailto:info@pva.net) or (518) 371-2684.

PVA also offers the following products to improve your dispensing application:

---

### CA3-SP

CA300 spare parts kit

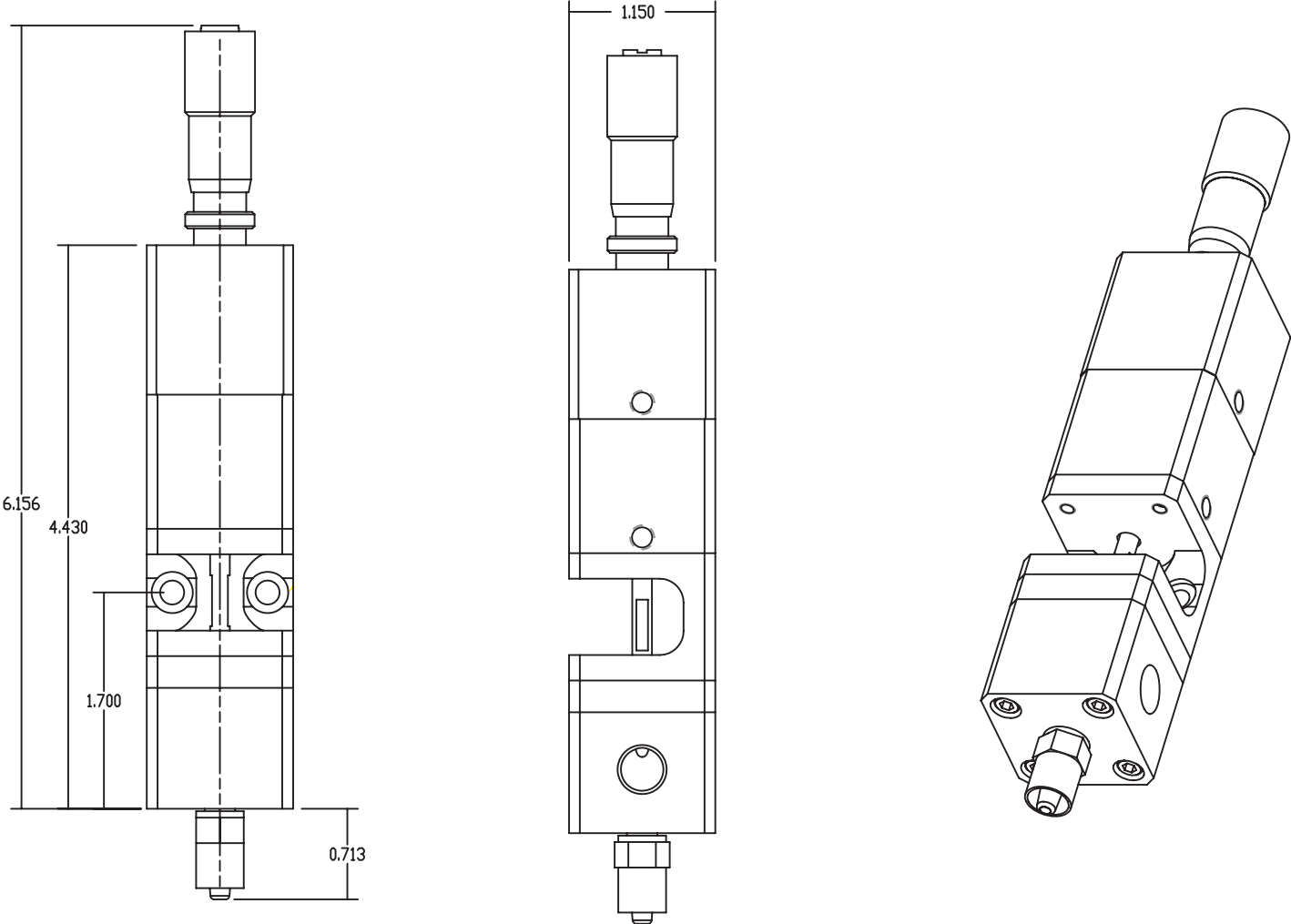
### ST100

Digital Valve Controller

### PV105-V

Flexible valve stand

# CA300 Mounting Dimensions



All dimensions provided in inches.