



**WHERE  
PRECISION  
DRIVES  
PRODUCTION**



## **Cartridge Pump CP Series**

### **SYSTEM SPECIFICATIONS**

#### **CP Series Systems**

PVA300MLCP - For 300ml cartridges

PVA06OZCP - For 6oz cartridges

PVA12OZCP - For 12oz cartridges

PVA20OZCP - For 20oz cartridges

#### **Footprint**

21.6" x 9.17" (550mm x 233mm)

#### **Pump Mechanism**

Air operated mini extruder

#### **Pump Ratio**

12:1

#### **Maximum Fluid Outlet Pressure**

1200 psi at 100 psi air

#### **Maximum Air Inlet Range**

80 - 100 psi

#### **Weight**

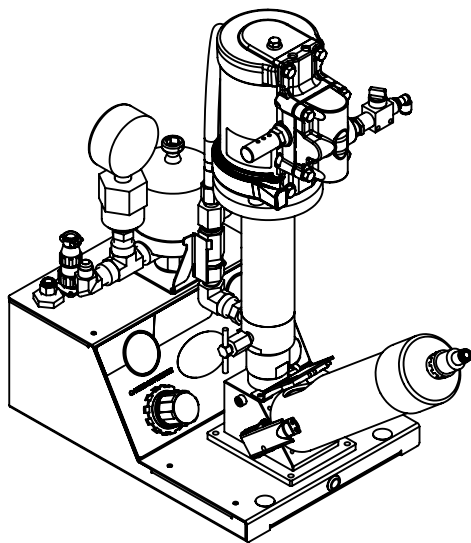
40lbs (18.1 kg)

CP Series Pumps are ideal for dispensing medium to high viscosity materials pre-packaged in cartridges that require high flow rates than available with air pressure alone. Possible applications include gasketing, sealing, lubricating and filling. The CP Series Pumps can be used with a hand held or automated dispensing systems.

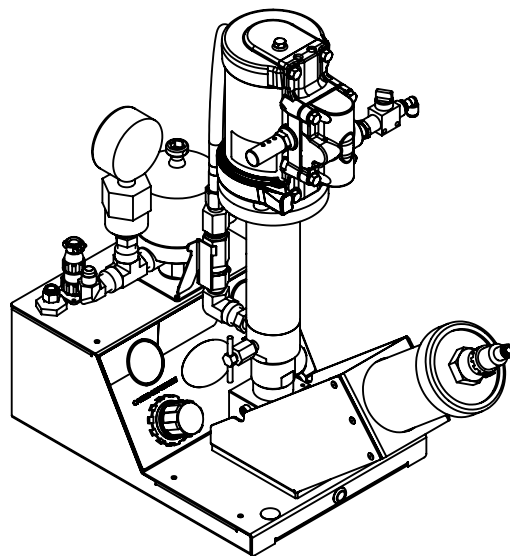
The CP Series Pump has many options and integrated features including:

- 12:1 ratio system to create high fluid pressure
- Locking cartridge retainer
- Pneumatic control panel
- Accommodates multiple cartridge sizes and types
- Includes material hose, fluid regulator and gauges
- Compact footprint
- Optional low level sensor

For more information, please contact PVA at [info@pva.net](mailto:info@pva.net) or (518) 371-2684.



300 ml CARTRIDGE



6/12/20oz CARTRIDGE