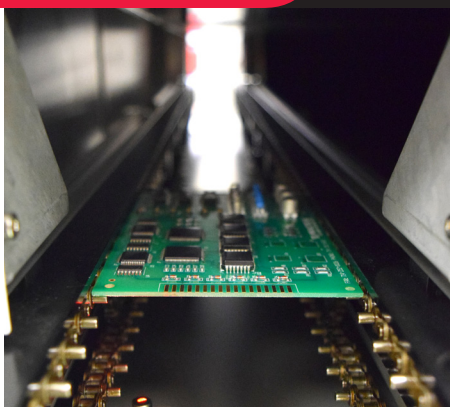




INNOVATION. PRECISION. EXCELLENCE.



## System Specifications

### Power Requirements:

208 - 480 VAC, +/-10%, 50/60 Hz, 3Ø

### Maximum Panel Temperature:

260° C (500° F)

### Curing Length:

1.2 m / 2.4 m / 3.7 m / 4.8 m  
(4 ft / 8 ft / 12 ft / 16 ft)

### Independent Heating Zones:

Programmable in two foot sections

### Conveyor Speed:

0.03 m/min to 15.24 m/min  
(0.1 ft/min to 50 ft/min)

### Board / Pallet Width:

50 mm to 500 mm  
(1.9 in to 19.6 in)

### Component Clearance:

100 mm (4 in) top and bottom

### Conveyor Height:

890 mm to 965 mm from floor  
(35 in to 38 in, SMEMA standard)

### Exhaust:

DeltaTherm 4': 200 CFM  
DeltaTherm 8': 300 CFM  
DeltaTherm 8' H: 140 CFM  
DeltaTherm 12': 600 CFM  
DeltaTherm 12' H: 210 CFM  
DeltaTherm 16': 1000 CFM  
DeltaTherm 16' H: 280 CFM  
Alarm included

### Certification:

CE

REV C 11/12/20

## DeltaTherm Infrared Heat Curing Chamber

PVA's DeltaTherm utilizes infrared panels to efficiently cure adhesives and coatings in a controlled, heated environment. The DeltaTherm features a double-sided configuration and offers custom top and bottom heat profiling in each two foot section. Each infrared coated panel is constructed for easy cleaning and maintenance. An optional humidity control feature allows for further control of moisture cure applications.

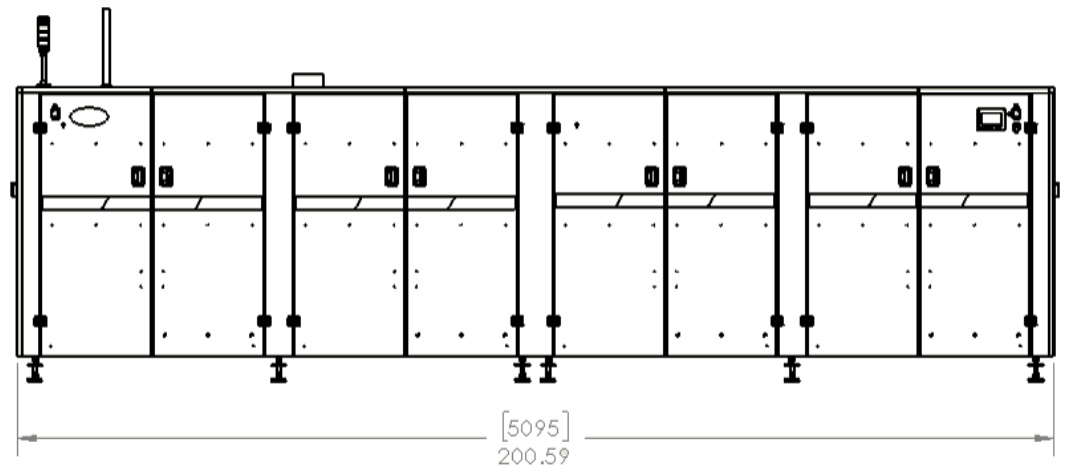
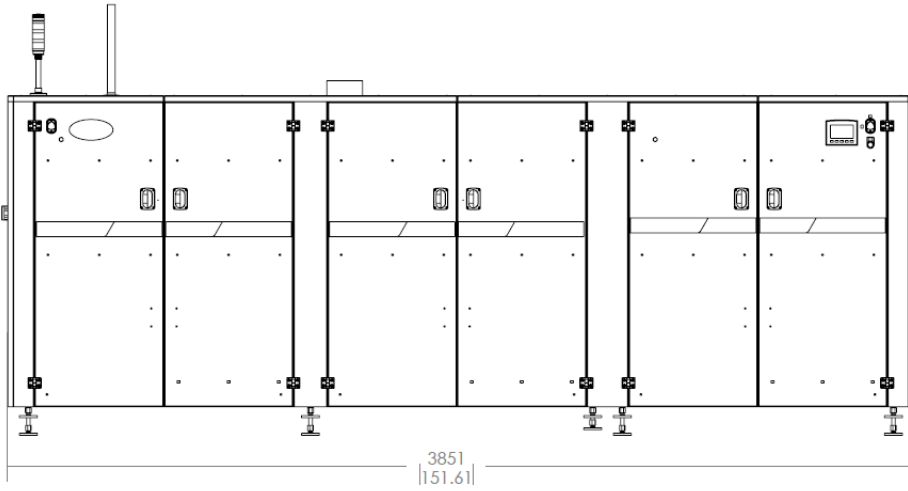
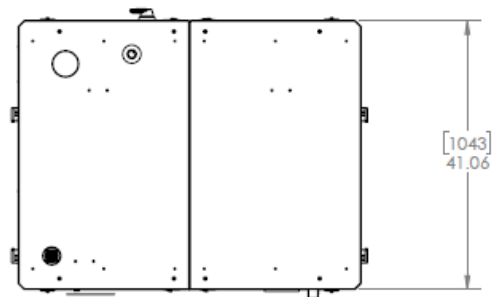
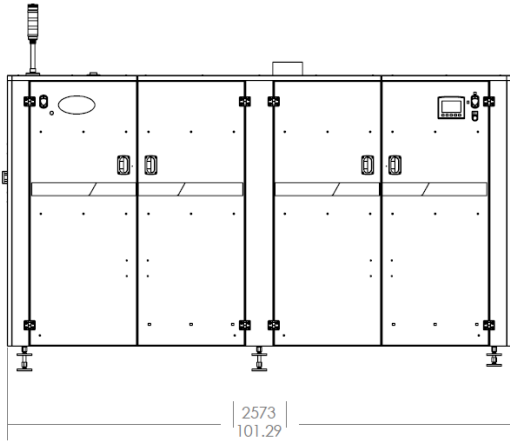
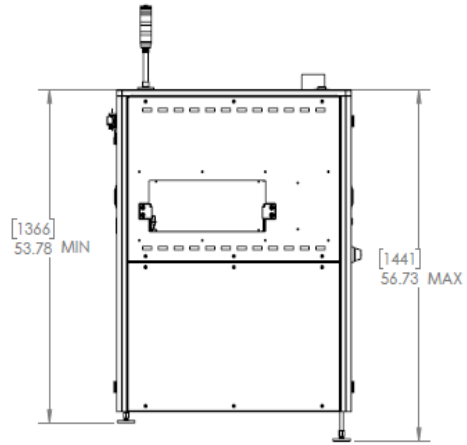
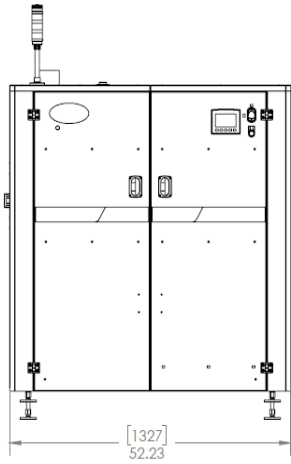
The DeltaTherm has many integrated features including:

- Edge carrying, variable speed pin chain conveyor
- Rail expansion compensation
- SMEMA communications interface
- PLC controller
- OIT touch panel with display screen
- Four-inch top and bottom side component clearance
- Thermocouple process control with independent over temperature protection
- Optional humidity control

For more information, please contact PVA at [info@pva.net](mailto:info@pva.net) or (518) 371-2684.



Headquarters  
One Mustang Drive | Cohoes, NY 12047  
tel +1 518 371 2684 | fx +1 518 371 2688  
[www.pva.net](http://www.pva.net) | [info@pva.net](mailto:info@pva.net)



All dimensions are provided in inches and millimeters.