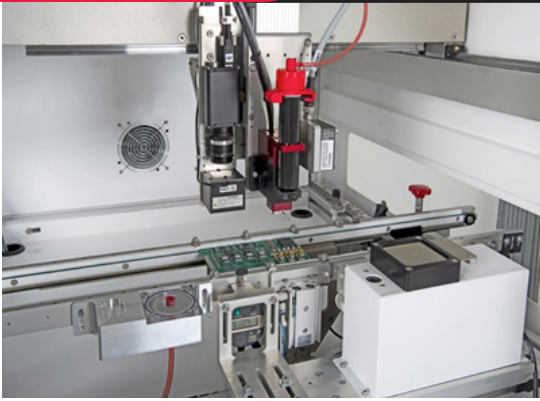




**WHERE  
PRECISION  
DRIVES  
PRODUCTION**



**Flex Cell**  
**Custom Selective Coating/Dispensing System**

**SYSTEM SPECIFICATIONS**

**Gantry System Design**

Closed loop brushless DC servo motors with optical encoders and ball screw slides on all axes

**Work Area**

Flex Cell  
500 mm X and Y-axis Stroke

Flex Cell-600  
600 mm X and Y-axis Stroke

Flex Cell-800  
800 mm X and Y-axis Stroke

**XYZ Repeatability**  
±25 microns (±0.001")

**Resolution**  
5 microns (0.0002")

**Maximum Acceleration**  
1g

**Footprint**  
Varies upon workcell

**Programming Software**  
PathMaster® software with offline image import and programming capability

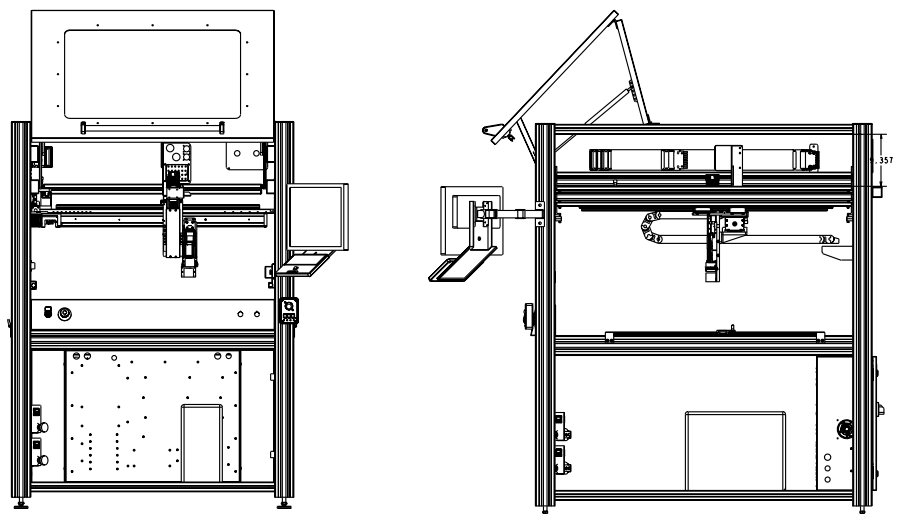
The Flex Cell is a custom three or four-axis robotic platform for dispensing a wide variety of adhesives, sealants, and conformal coatings. Each Flex Cell is designed to your specific application and with your desired options.

The Flex Cell employs a robust gantry system featuring precision ball screw slides driven by brushless DC servo motors. Every axis of motion features optical encoder feedback for a truly closed-loop process.

The Flex Cell has many options and integrated features including:

- Robotic system repeatability of 25 microns
- Patented servo-controlled optional four-axis motion featuring valve tilt and rotate
- Closed loop process control throughout gantry system
- Multiple dispensing applications or materials in one cell
- Onboard PC for unlimited program storage
- Exclusive PathMaster® programming environment

For more information, please contact PVA at [info@pva.net](mailto:info@pva.net) or (518) 371-2684.



PathMaster® is a registered trademark of Precision Valve & Automation, Inc.  
Windows® is a registered trademark of Microsoft Corporation.