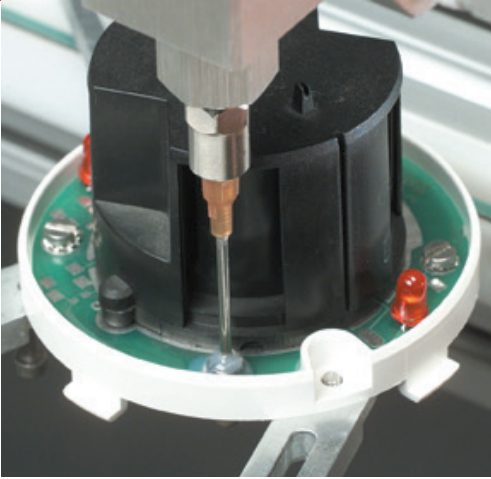




**PVA**

**WHERE  
PRECISION  
DRIVES  
PRODUCTION**



## VALVE SPECIFICATIONS

### Dimensions

203 mm x 29.2 mm x 29.2 mm  
(7.99 in x 1.15 in x 1.15 in)

### Weight:

8 oz

### Viscosity Range

1 cps – Paste

### Operating Air Pressure:

60-100 psi

### Maximum Inlet Fluid Pressure

300 psi

### Shot Size Range:

0.010 cc to 0.125 cc

### Wetted Components

Stainless steel, Delrin, Kalrez®, Teflon®

## MV300

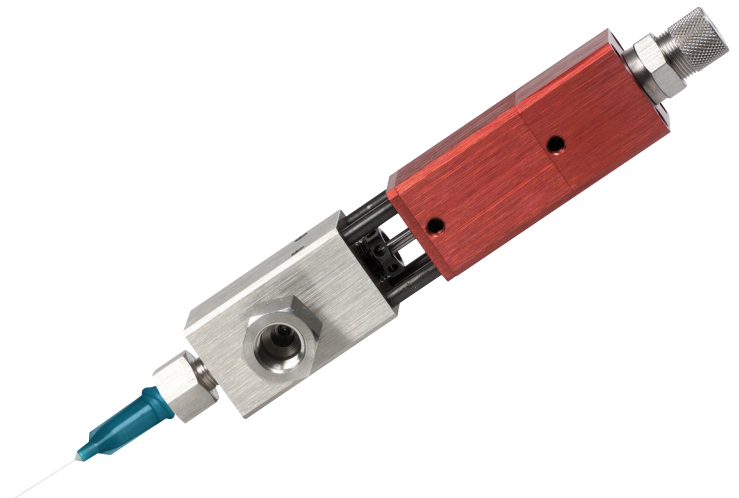
### Positive Displacement Dispensing Valve

The MV300 is a true positive displacement metering valve capable of dispensing deposits of material in a highly accurate process. The deposit volume is determined by the valve's stroke adjustment setting and is not affected by variations in viscosity or material pressure. The MV300 is compatible with all PVA automated platforms.

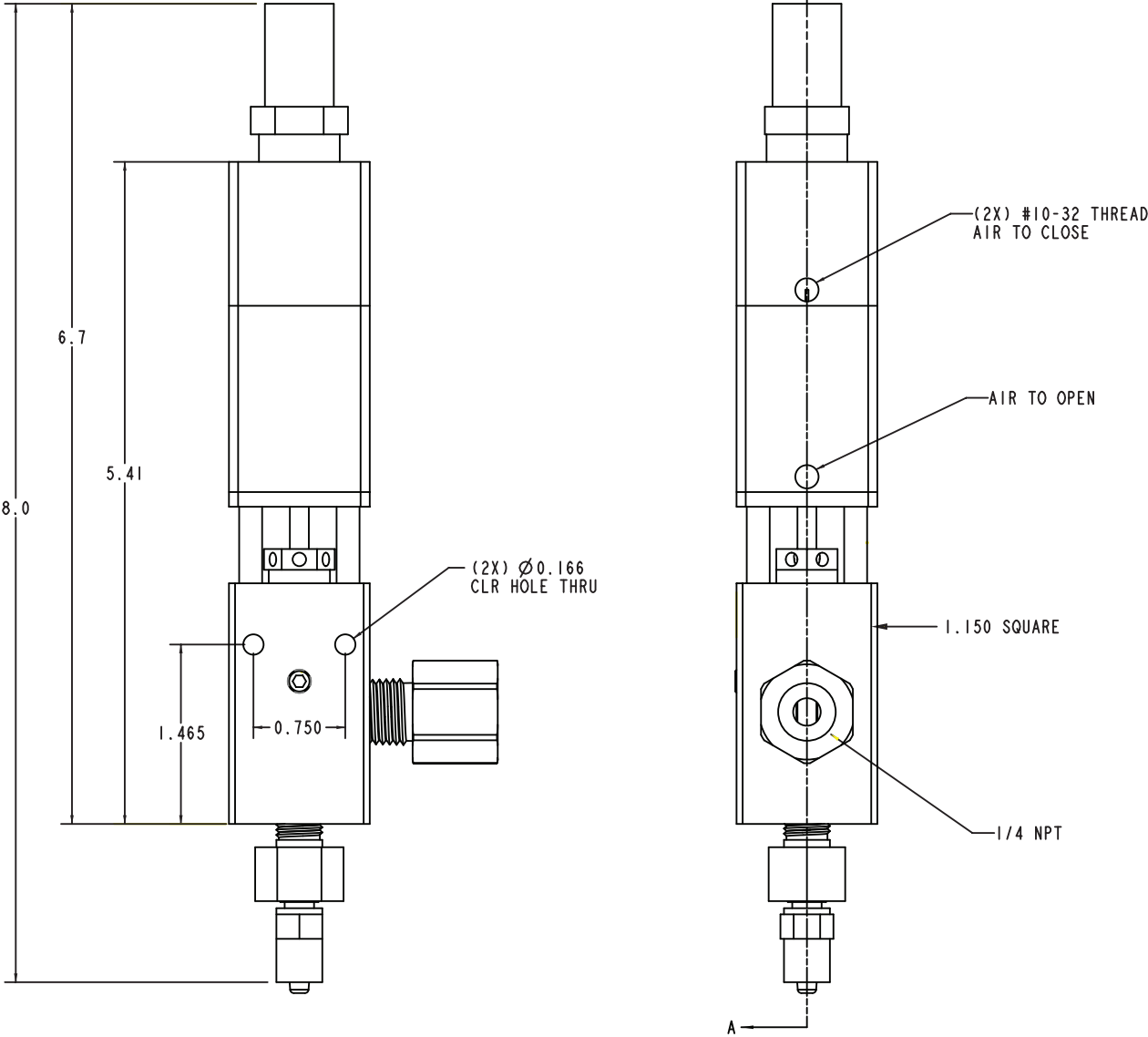
The MV300 has many integrated features including:

- 0.010 cc to 0.125 cc shot size
- Divorced valve design prevents material contamination of the air section
- Inlet and outlet check valves provide precise metering of material
- Adjustable stroke permits shot size modification
- Stainless steel fluid section for optimum material compatibility
- Lightweight aluminum air section

For more information on PVA's dispensing capabilities, please contact one of our sales representatives at (518) 371-2684.



# MV300 Mounting Dimensions



All dimensions provided in inches.