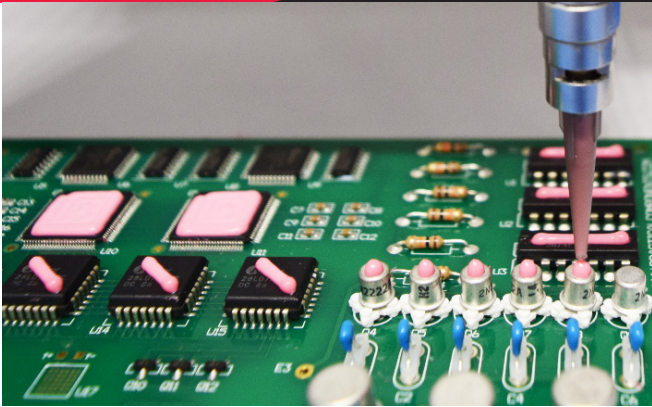




INNOVATION. **PRECISION.** EXCELLENCE.



## Pump Specifications

### Operating Temperature

10 - 40°C (50 - 104° F)

### Viscosity Range

1 - 500,000+ cps

### Max Inlet Fluid Pressure

85 psi

### Wetted Components

Stainless Steel/FFKM  
Carbide/EPDM

**Dimensions, Flow Rate, and Fluid Inlet will vary based on pump size. See table on page 2.**



## PCP Series Progressive Cavity Pump

The PCP Series of progressive cavity pumps bring superior volumetric accuracy to your most demanding dispensing applications. Progressive cavity pumps feature a machined rotor that couples with a rubberized seal to assure drip-free operation with a wide range of viscous chemistries. Each servo-controlled rotor displaces a fixed volume of material per revolution. This true positive displacement process assures consistent volume regardless of slight material variations.

The PCP Series features five different rotor sizes allowing the end user to select their ideal flow rate. An optional carbide rotor allows processing of filled or abrasive chemistries while extending the life of the rotor.

The PCP Series has many additional integrated features including:

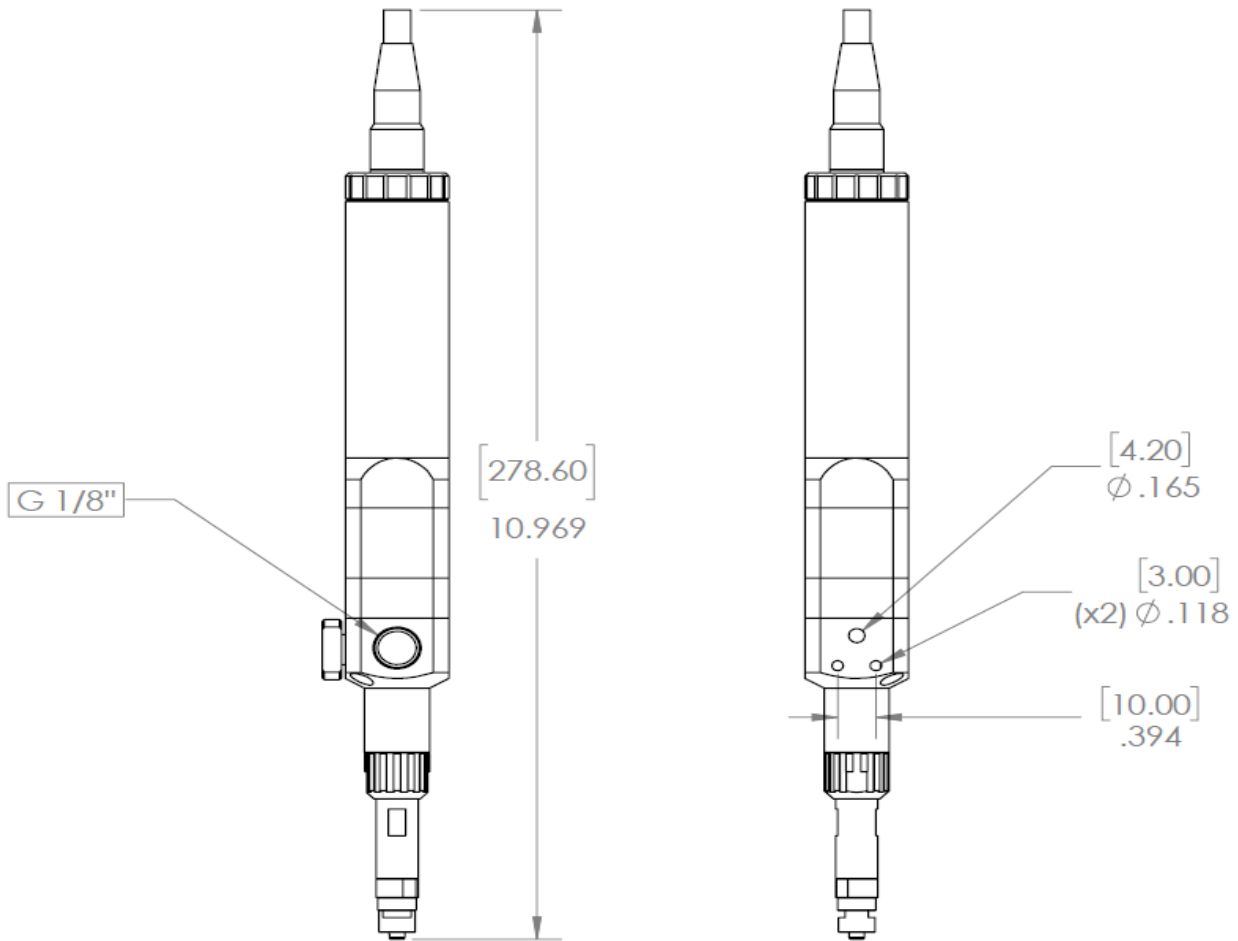
- Programmable flow rate for a customized dispensing process
- High precision dosing within +/-1%
- Continuous dispensing process for efficient operation and no refilling
- Self sealing operation prevents dripping
- Optional carbide rotor
- Luer lock outlet connection

**For more information, please contact PVA at [info@pva.net](mailto:info@pva.net) or contact your local representative.**

REV D 9/8/20

Headquarters  
One Mustang Drive | Cohoes, NY 12047  
tel +1 518 371 2684 | fx +1 518 371 2688  
[www.pva.net](http://www.pva.net) | [info@pva.net](mailto:info@pva.net)

## PCP Mounting Dimensions



\*Dimensions may vary based on pump size

## Model Specifications

Model Number	Flow Rate	Dimensions (mm)	Fluid Inlet
PCP015	0.015 - 1.8 ml/min	27 x 27 x 230	1/4" NPT
PCP015-C	0.015 - 0.15 ml/min	27 x 27 x 230	1/4" NPT
PCP050	0.05 - 6 ml/min	27 x 27 x 230	1/4" NPT
PCP050-C	0.05 - 0.5 ml/min	27 x 27 x 230	1/4" NPT
PCP150	0.15 - 18 ml/min	29 x 29 x 280	1/4" NPT
PCP150-C	0.15 - 1.5 ml/min	29 x 29 x 280	1/4" NPT
PCP500	0.5 - 60 ml/min	29 x 29 x 280	1/4" NPT
PCP500-C	0.5 - 5 ml/min	29 x 29 x 280	1/4" NPT
PCP1000	1 - 120 ml/min	29 x 29 x 312	1/4" NPT
PCP1000-C	1 - 10 ml/min	29 x 29 x 312	1/4" NPT