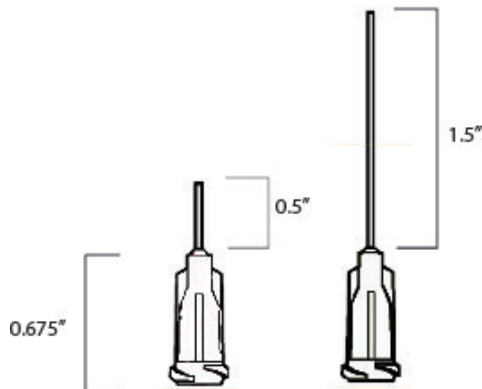


**WHERE  
PRECISION  
DRIVES  
PRODUCTION**

**R Series Flexible Needles**  
Plastic Hub with Polypropylene Canula

PVA's disposable dispense needles feature a double helix threaded polypropylene luer lock hub with bonded flexible polypropylene canula. The luer lock hubs are color coded for guage sizes and the soft flexible polypropylene canulas can be used in applications requiring a scratch free surface or can be easily cut to a specific length.



Needle Color Chart					
Color	Gauge	Inside Diameter		Outside Diameter	
		in	mm	in	mm
	15	0.0532	1.35	0.0709	1.80
	18	0.0331	0.84	0.0500	1.27
	20	0.0236	0.60	0.0358	0.91
	25	0.0102	0.26	0.0201	0.51

Free Flow Part Numbers - 50 Piece Box		
Gauge	Canula Length/Part Number	
	1/2\" Length	1 1/2\" Length
15	PV-15P-0.5X	PV-15P-1.5X
18	PV-18P-0.5X	PV-18P-1.5X
20	PV-20P-0.5X	PV-20P-1.5X
25	PV-25P-0.5X	PV-25P-1.5X