



**WHERE
PRECISION
DRIVES
PRODUCTION**

Smooth Flow Nozzles

PVA offers a variety of smooth flow nozzles to handle various material chemistries and flow rates. The tapered design allows for a smooth transition of fluid through the dispense nozzle, eliminating back pressure, while providing a straight orifice for fluid to exit. The design is beneficial for controlling highly compressible fluids and reducing the separation (buildup) of solid particles in heavily filled materials.

Standard smooth flow nozzles are available with a color coded polypropylene luer lock hub to easily identify the variety of gauge sizes.

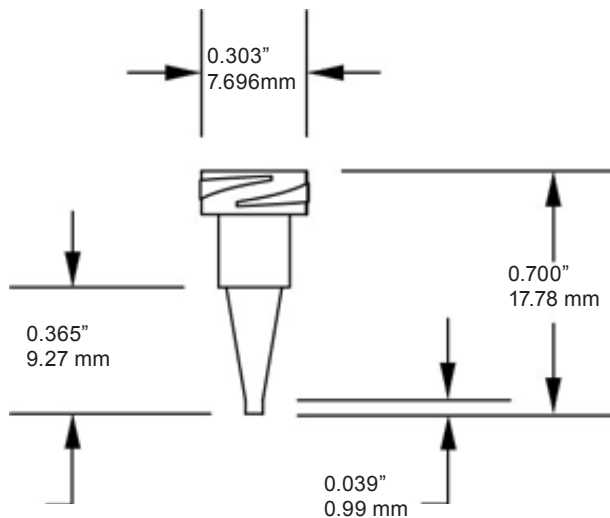
To reduce cost, metal cores only are also available, without the plastic hub. A reusable threaded metal luer lock hub is available to hold the cores onto a male luer thread.

Upon request, nozzles can be available with custom surface coatings to improve fluid compatibility and reduce surface tension.

Luer Lock Color Chart					
Color	Gauge	Inside Diameter		Outside Diameter	
		in	mm	in	mm
●	18	0.0409	1.039	0.0488	1.240
●	19	0.0339	0.861	0.0417	1.059
●	20	0.0268	0.681	0.0347	0.881
●	21	0.0240	0.610	0.0319	0.810
●	23	0.0222	0.584	0.0250	0.635
●	25	0.0172	0.437	0.0200	0.508
●	27	0.0132	0.335	0.0160	0.406
●	30	0.0092	0.234	0.0120	0.305
●	31	0.0060	0.152	0.0100	0.254
●	32	0.0040	0.101	0.0080	0.203
●	33	0.0020	0.051	0.0060	0.152



Luer Lock Caps
Part Number: PVA-LLCAP-X



Gauge	Part Numbers	
	Luer Lock Adapter	Metal Core Only
18	PV-18SA	PV-18SC
19	PV-19SA	PV-19SC
20	PV-20SA	PV-20SC
21	PV-21SA	PV-21SC
23	PV-23SA	PV-23SC
25	PV-25SA	PV-25SC
27	PV-27SA	PV-27SC
30	PV-30SA	PV-30SC
31	PV-31SA	PV-31SC
32	PV-32SA	PV-32SC
33	PV-33SA	PV-33SC

Reusable Metal Luer Lock Hub, Part Number: 214-3592